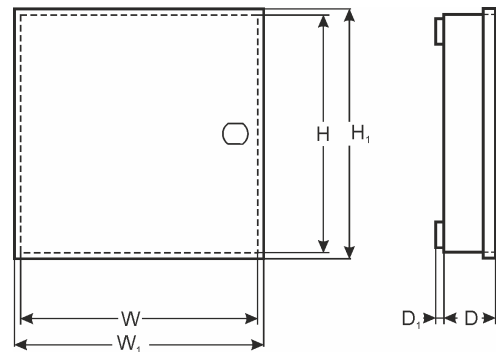


CODE: **AWO220PU** v.1.8/III  
 NAME: **17/40/DSPR/S/PUSTA**



## DESTINATION

**DSC:** (PC 1404, 1616, 1832, 1864) + 5108 (4108, 5208, 5100, 4116)  
 4020 + 4108 (5108, 5208, 5100, 4116)

**MODULES:** (PC 5204, 5400, 5580, 5200, 4216) + (5108, 5208, 4108, 5100, 4116)  
 4204 + 4108 (5108, 5208, 5100, 4116)

**PARADOX:** (E55, E65, 728ULT, EVO48, EVO192, SP4000, SP5500, SP6000, SP7000) + ZX 8 (ZX 4, HUB2, PGM4)

**RISCO:** PRO24 z 17 Ah  
 PRO116, 128, 140 z 7Ah

**SATEL:** CA4V1, CA5, CA6  
 (VERSA5, 10, 15, CA10) + CA10E (CA64E, SM, MST1)  
 (INTEGRA24, 32) + CA64E (SM)

**MODULES:** CA64 (PP, EPS, ADR, O-R, O-ROC, O-OC, OPS-OC, OPS-R, OPS-ROC, VGM-16, SR, PTSA) + CA64E (SM)

**PYRONIX:** MATRIX 424, 6, 816, 832, 832+

**CROW:** RUNNER 4,8

**TEXECOM:** PREMIER 412, 816, 832, 48, 88, 168, 640

**TELMOR:** TCA-824 + TEX800

**ROGER:** PR402, CPR 32-SE

**EBS:** PX 202A

**PULSAR:** MS1512, MSR1012, MSRK1012  
 MS2012, MSR2012, MSRK2012

## TECHNICAL DATA

**External dimensions of the enclosure:** W=320, H=305, D+D<sub>1</sub>=90+8 [±2 mm]

**External dimensions of the front panel:** W<sub>1</sub>=325, H<sub>1</sub>=310 [±2 mm]

**Weight net/gross:** 1,95kg / 2,15kg [±0,1kg]

**Battery space:** 17Ah/12V Sealed Lead Acid (SLA)

**Transformer:** without transformer - can be mounted in the casing: TRP20, TRP40, TRZ20, TRZ40, EI20, EI40

**Tamper protection:** 1 x microswitch: opening, 0,5A@50V/DC max. NC

**Material description:** sheet steel DC01, thickness: 0,7mm, protection anticorrosion, color: RAL 9003

**Destination:** indoor

**Closing:** screwed x 4

**Notes:** optional: lockable, distance from wall (mounting surface) - 8mm, easy door removal

**Declaration, warranty:** CE, 2 year from the production date